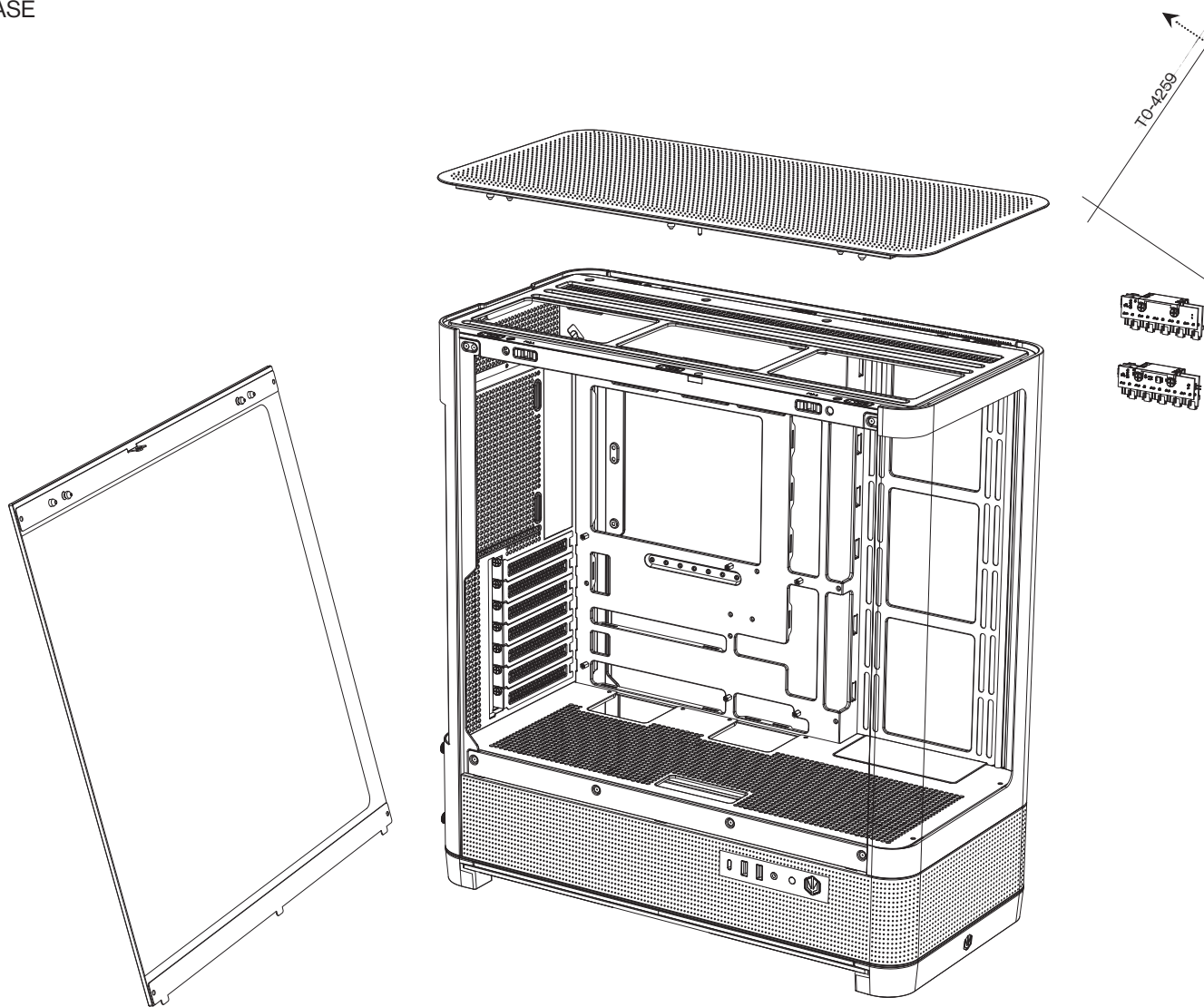
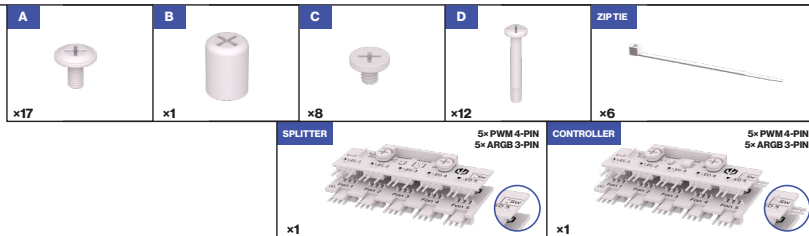


## Aquarius 8000 Flex

PCCASE



### ACCESSORIES



Designed by ENDORFY

COOLING SP. Z O.O.  
UL. SOKOŁOWSKA 24  
05-806 SOKOŁÓW, POLSKA  
TEL. +48222920130

**EY2A022**

More at  
[www.endorfy.com](http://www.endorfy.com)



## 1. Overview

**REAR**

- 1x 120/140
- 120/140

**TOP**

- 3x 120/140
- 120/240/280/360/420

**PSU CHAMBER**

- 3x 120/140
- Reverse fans recommended.

**SIDE**

- 3x 120
- 2x 140
- 120/240/280/360
- Reverse fans recommended.

**UNDERSIDE FILTER**

**I/O**

Please refer to your motherboard's user manual to connect the I/O panel.

- 1 USB-C® (USB 3.2 Gen 2)
- 2 USB-A (USB 3.1 Gen 1)
- 3 TRRS combo audio jack 3.5 mm
- 4 ARGB mode / reset button
- 5 Power button

PSU MAX: 270-330 mm w/o HDD 475 mm

## 2. Panel removal

1. Lift the top panel.
2. Push the side panels inward.
3. Push the side panels down to release them.

To remove the side panels, it is necessary to remove the top panel.

## 3. Hardware installation

1. Insert the PSU into the bottom of the case.
2. Push the PSU into the case.

Suggested method for first-time power supply installation.

Four UNC-6-32 screws should be included with the PSU.

## 4. Hardware installation

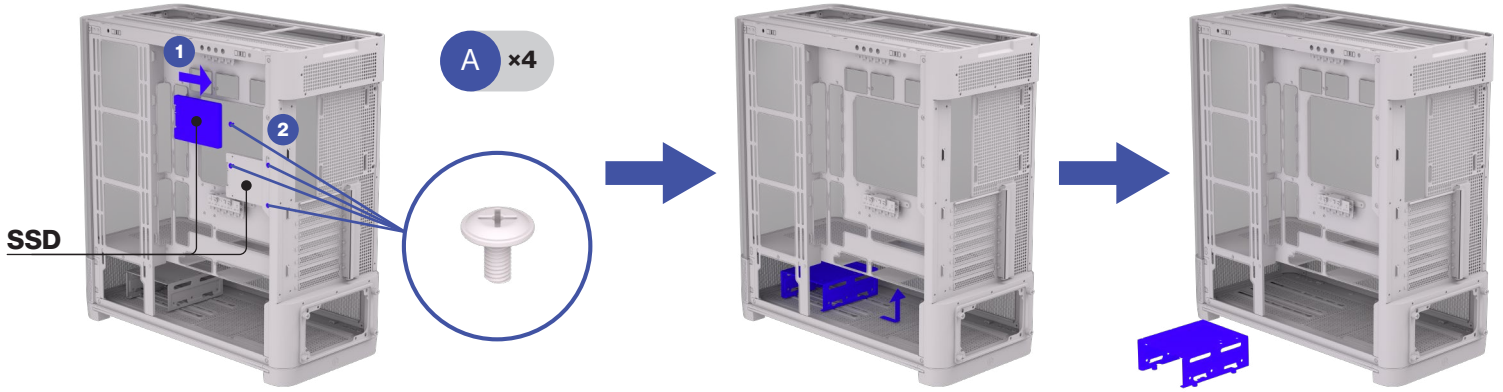
Use (B) part to securely screw or unscrew standoffs.

Use (C) parts to screw motherboard to standoffs.

## 5. Hardware installation

1. Secure the motherboard with screws.
2. Connect the motherboard cables to the case's I/O panel.

## 6. Hardware installation

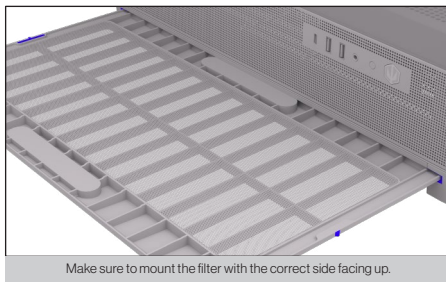


Use two (A) parts to screw one of two SSD.

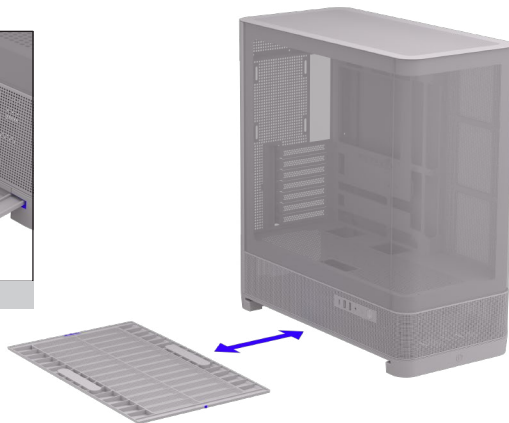


The correct order of drive installation must be maintained.

## 7. Dust filters

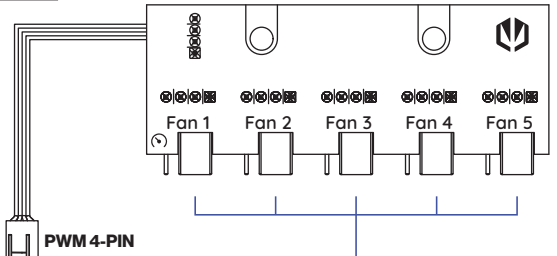


Make sure to mount the filter with the correct side facing up.

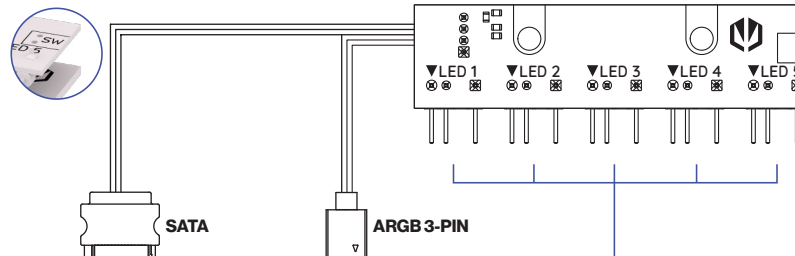


The bottom filter can be mounted and removed from the left side or right side of the case.

## 8. Fan connection



## ARGB splitter



**CONNECT TO MOTHERBOARD**

CHA\_OPT / CHA\_FAN

PWM MODE

**PWM 4-PIN**

FANS

PWM MODE

**CONNECT TO POWER SUPPLY**

SATA

**CONNECT TO ARGB SIGNAL**

ARGB controller LED 1-5

Motherboard ARGB\_LED/D\_LED

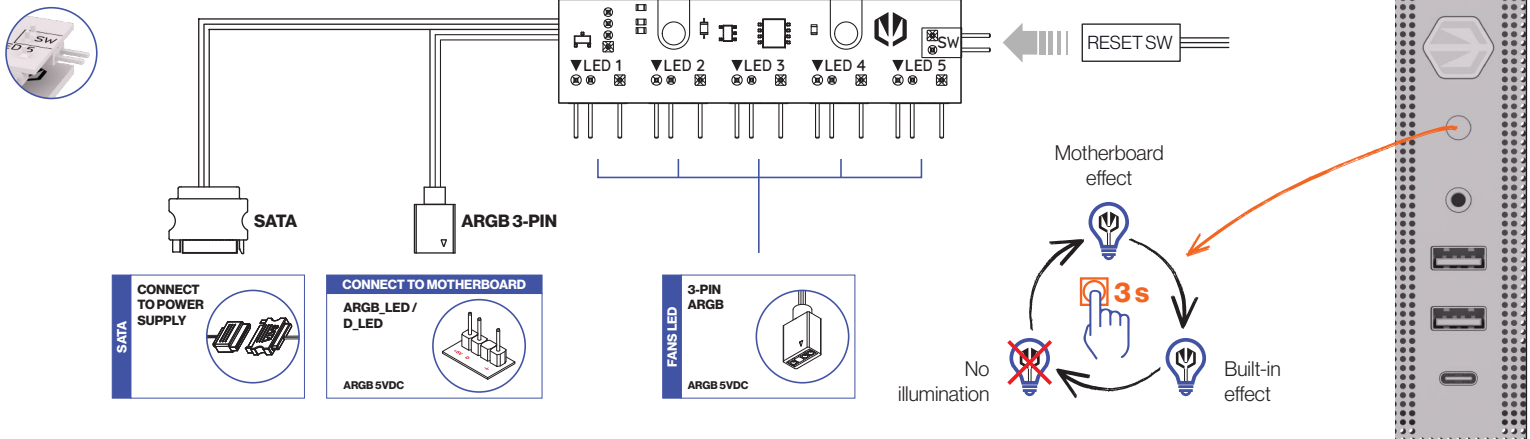
ARGB 5VDC

**3-PIN ARGB**

FANS LED

ARGB 5VDC

## ARGB controller



# ENDORFY

CUSTOMER SERVICE TELEPHONE:  
 +48 22920130 +44 333339429  
 Call charges will apply according to your operator's rates.

NEED MORE INFORMATION?  
**ENDORFY.COM/KB/EY2A022**



### EN Safety instructions

- The product should be used as intended. Incorrect use may damage the product and be dangerous to your health.
- Make sure that the product is in good working order before using it.
- The warranty does not cover mechanical damage. All the end of its life, the product should be taken to a special collection point designated by the relevant local authorities.
- Do not install and use the device within reach of children.
- Prevent damage from compression. Reduce the device to warm ambient temperature before use.
- Do not use non-recommended cleaning agents. Reduce the device to warm ambient temperature before use.
- Do not use the product near liquids or in places where it may be directly exposed to liquids. If the device comes into contact with water, disconnect it from the power source immediately and contact ENDORFY.
- Do not connect the fan and electronic equipment together with other household waste.
- In the event of a malfunction, disconnect from the power source immediately and contact ENDORFY by returning it to the collection point or the seller. Contact local authorities or the store where you purchased the product for additional information.

### CS Bezpečnostní pokyny

- Výrobek by měl být používán v souladu se svým určením. Nesprávné použití může způsobit poškození výrobku a způsobit nebezpečí pro zdraví uživatelů.
- Před použitím výrobku se ujistěte, že je v dobrém technickém stavu.
- Záruka se nevztahuje na mechanické poškození výrobku.
- Prevent damage from compression. Reduce the device to warm ambient temperature before use.
- Do not use the product near liquids or in places where it may be directly exposed to liquids. If the device comes into contact with water, disconnect it from the power source immediately and contact ENDORFY.
- Do not connect the fan and electronic equipment together with other household waste.
- In the event of a malfunction, disconnect from the power source immediately and contact ENDORFY by returning it to the collection point or the seller. Contact local authorities or the store where you purchased the product for additional information.

### DA Sikkerhedsvejledning

- Produktet skal anvendes i overensstemmelse med dets anvendelsesformål. Ukorrekt brug kan beskadige produktet og være farligt for brugeren.
- Garanti omfatter ikke mekaniske beskadigelser af produktet.
- For at undgå kompressionsskader, reducer temperaturen på produktet til stuetemperatur, inden du bruger det.
- Do not use the product near liquids or in places where it may be directly exposed to liquids. If the device comes into contact with water, disconnect it from the power source immediately and contact ENDORFY.
- Do not connect the fan and electronic equipment together with other household waste.
- In the event of a malfunction, disconnect from the power source immediately and contact ENDORFY by returning it to the collection point or the seller. Contact local authorities or the store where you purchased the product for additional information.

### DE Sicherheitshinweis

- Das Produkt sollte bestimmungsgemäß verwendet werden. Eine unsachgemäße Verwendung kann das Produkt beschädigen und Gesundheitsgefahren für den Benutzer mit sich bringen.
- Garantie umfasst keine mechanischen Beschädigungen des Produkts.
- Vermeiden Sie Kompressionsschäden. Reduzieren Sie die Temperatur des Produkts auf Raumtemperatur, bevor Sie es verwenden.
- Do not use the product near liquids or in places where it may be directly exposed to liquids. If the device comes into contact with water, disconnect it from the power source immediately and contact ENDORFY.
- Do not connect the fan and electronic equipment together with other household waste.
- In the event of a malfunction, disconnect from the power source immediately and contact ENDORFY by returning it to the collection point or the seller. Contact local authorities or the store where you purchased the product for additional information.

### ES Instrucciones de seguridad

- El producto debe ser utilizado conforme a su destino. Un uso indebido puede provocar un daño del producto o lesiones personales.
- Garantía que no cubre los daños mecánicos al producto.
- Prevent damage from compression. Reduce the device to warm ambient temperature before use.
- Do not use the product near liquids or in places where it may be directly exposed to liquids. If the device comes into contact with water, disconnect it from the power source immediately and contact ENDORFY.
- Do not connect the fan and electronic equipment together with other household waste.
- In the event of a malfunction, disconnect from the power source immediately and contact ENDORFY by returning it to the collection point or the seller. Contact local authorities or the store where you purchased the product for additional information.

### FI Turvallisuushojeet

- Tuotetta tulee käyttää sen käyttöohjeiden mukaisesti. Väärä käyttö voi vahingoittaa tuotetta ja aiheuttaa loukkaantumisen.
- Garantia ei sisälly mekaanisiin vaurioihin.
- Prevent damage from compression. Reduce the device to warm ambient temperature before use.
- Do not use the product near liquids or in places where it may be directly exposed to liquids. If the device comes into contact with water, disconnect it from the power source immediately and contact ENDORFY.
- Do not connect the fan and electronic equipment together with other household waste.
- In the event of a malfunction, disconnect from the power source immediately and contact ENDORFY by returning it to the collection point or the seller. Contact local authorities or the store where you purchased the product for additional information.

### FR Consignes de sécurité

- Le produit doit être utilisé conformément à l'usage auquel il est destiné. Une utilisation incorrecte peut entraîner des dommages au produit ou des blessures corporelles.
- Garantie qui ne couvre pas les dommages mécaniques au produit.
- Prevent damage from compression. Reduce the device to warm ambient temperature before use.
- Do not use the product near liquids or in places where it may be directly exposed to liquids. If the device comes into contact with water, disconnect it from the power source immediately and contact ENDORFY.
- Do not connect the fan and electronic equipment together with other household waste.
- In the event of a malfunction, disconnect from the power source immediately and contact ENDORFY by returning it to the collection point or the seller. Contact local authorities or the store where you purchased the product for additional information.

### HU Biztonsági utasítás

- A termék csak a használati útmutatóban leírt módon használható. A helytelen használat a termék károsodását okozhatja, és sérülést is okozhat.
- Garancia nem tartalmaz mechanikai károkat.
- Prevent damage from compression. Reduce the device to warm ambient temperature before use.
- Do not use the product near liquids or in places where it may be directly exposed to liquids. If the device comes into contact with water, disconnect it from the power source immediately and contact ENDORFY.
- Do not connect the fan and electronic equipment together with other household waste.
- In the event of a malfunction, disconnect from the power source immediately and contact ENDORFY by returning it to the collection point or the seller. Contact local authorities or the store where you purchased the product for additional information.

### IT Manuale di sicurezza

- Il prodotto deve essere utilizzato solo conformemente alla sua destinazione d'uso. Un utilizzo improprio può danneggiare il prodotto e rappresentare un pericolo per la salute dell'utente.
- Garantia che non copre i danni meccanici al prodotto.
- Prevent damage from compression. Reduce the device to warm ambient temperature before use.
- Do not use the product near liquids or in places where it may be directly exposed to liquids. If the device comes into contact with water, disconnect it from the power source immediately and contact ENDORFY.
- Do not connect the fan and electronic equipment together with other household waste.
- In the event of a malfunction, disconnect from the power source immediately and contact ENDORFY by returning it to the collection point or the seller. Contact local authorities or the store where you purchased the product for additional information.

### NO Sikkerhetsinstruks

- Produktet bør brukes i samsvar med tilfittet bruk. Feil bruk kan føre til skade på produktet og en helsefare for brukeren.
- Garanti som ikke dekker mekaniske skader på produktet.
- Prevent damage from compression. Reduce the device to warm ambient temperature before use.
- Do not use the product near liquids or in places where it may be directly exposed to liquids. If the device comes into contact with water, disconnect it from the power source immediately and contact ENDORFY.
- Do not connect the fan and electronic equipment together with other household waste.
- In the event of a malfunction, disconnect from the power source immediately and contact ENDORFY by returning it to the collection point or the seller. Contact local authorities or the store where you purchased the product for additional information.

### PL Instrukcja bezpieczeństwa

- Produkt powinien być używany zgodnie z jego przeznaczeniem. Nieprawidłowe użytkowanie może spowodować uszkodzenie produktu oraz stworzyć zagrożenie dla zdrowia użytkownika.
- Garantia nie obejmuje uszkodzeń mechanicznych produktu.
- Prevent damage from compression. Reduce the device to warm ambient temperature before use.
- Do not use the product near liquids or in places where it may be directly exposed to liquids. If the device comes into contact with water, disconnect it from the power source immediately and contact ENDORFY.
- Do not connect the fan and electronic equipment together with other household waste.
- In the event of a malfunction, disconnect from the power source immediately and contact ENDORFY by returning it to the collection point or the seller. Contact local authorities or the store where you purchased the product for additional information.

### RO Instrucțiuni de siguranță

- Produsul trebuie să fie utilizat în conformitate cu destinația sa. Utilizarea necorespunzătoare poate deteriora produsul și poate crea pericol pentru sănătatea utilizatorului.
- Garantia nu acoperă deteriorările mecanice ale produsului.
- Prevent damage from compression. Reduce the device to warm ambient temperature before use.
- Do not use the product near liquids or in places where it may be directly exposed to liquids. If the device comes into contact with water, disconnect it from the power source immediately and contact ENDORFY.
- Do not connect the fan and electronic equipment together with other household waste.
- In the event of a malfunction, disconnect from the power source immediately and contact ENDORFY by returning it to the collection point or the seller. Contact local authorities or the store where you purchased the product for additional information.

### RU Инструкции по безопасности

- Продукт необходимо использовать по назначению. Неправильное использование может привести к повреждению устройства и создать опасность для здоровья пользователя.
- Гарантия не покрывает механические повреждения продукта.
- Prevent damage from compression. Reduce the device to warm ambient temperature before use.
- Do not use the product near liquids or in places where it may be directly exposed to liquids. If the device comes into contact with water, disconnect it from the power source immediately and contact ENDORFY.
- Do not connect the fan and electronic equipment together with other household waste.
- In the event of a malfunction, disconnect from the power source immediately and contact ENDORFY by returning it to the collection point or the seller. Contact local authorities or the store where you purchased the product for additional information.

### SK Bezpečnostné pokyny

- Výrobek by měl být používán v souladu se svým určením. Nesprávné používání může způsobit poškození výrobku a způsobit nebezpečí pro zdraví uživatelů.
- Garantia nie obejmuje uszkodzeń mechanicznych produktu.
- Prevent damage from compression. Reduce the device to warm ambient temperature before use.
- Do not use the product near liquids or in places where it may be directly exposed to liquids. If the device comes into contact with water, disconnect it from the power source immediately and contact ENDORFY.
- Do not connect the fan and electronic equipment together with other household waste.
- In the event of a malfunction, disconnect from the power source immediately and contact ENDORFY by returning it to the collection point or the seller. Contact local authorities or the store where you purchased the product for additional information.

### SV Säkerhetsanvisningar

- Produkten ska användas i överensstämmelse med dets användningsformål. Ukorrekt bruk kan beskadiga produktet och vara farligt för brukaren.
- Garanti omfatter ikke mekaniske beskadigelser af produktet.
- Prevent damage from compression. Reduce the device to warm ambient temperature before use.
- Do not use the product near liquids or in places where it may be directly exposed to liquids. If the device comes into contact with water, disconnect it from the power source immediately and contact ENDORFY.
- Do not connect the fan and electronic equipment together with other household waste.
- In the event of a malfunction, disconnect from the power source immediately and contact ENDORFY by returning it to the collection point or the seller. Contact local authorities or the store where you purchased the product for additional information.

### UK Інструкція з безпеки

- Продукт необхідно використовувати за призначенням. Неправильне використання може призвести до пошкодження пристрою та небезпечної ситуації для здоров'я користувача.
- Гарантія не покриває механічні пошкодження продукту.
- Prevent damage from compression. Reduce the device to warm ambient temperature before use.
- Do not use the product near liquids or in places where it may be directly exposed to liquids. If the device comes into contact with water, disconnect it from the power source immediately and contact ENDORFY.
- Do not connect the fan and electronic equipment together with other household waste.
- In the event of a malfunction, disconnect from the power source immediately and contact ENDORFY by returning it to the collection point or the seller. Contact local authorities or the store where you purchased the product for additional information.

Указанный символ означает, что в соответствии с требованиями нормативных документов этот продукт или его компоненты являются экологически безопасными и подлежат переработке. Сбор, сортировка, упаковка, транспортировка, хранение, утилизация и переработка отходов и обеспечение безопасности переработки для здоровья людей и окружающей среды.

Symbolom som visas ovan indikerar att varken denna produkt eller dess batterier (om det ingår) är tillagade med användning av ämnen som är farliga för miljön eller hälsan. Detta gör att produkten kan återvinnas och återanvändas. Samlingen, sorteringen, packningen, transporten, lagringen, utslakningen och återvinningen av avfall och säkerställandet av återvinningen är säker för människors hälsa och för miljön.

Výše uvedený symbol znamená, že v souladu s platnými předpisy nesmí být tento výrobek a jeho baterie (pokud jsou součástí) dodávány s obsahem nebezpečných látek. Díky tomu lze výrobek a baterie recyklovat a znovu použít. Seřazení, třídění, balení, přeprava, skladování a likvidace odpadu a zajištění bezpečnosti recyklace jsou bezpečné pro zdraví lidí a životní prostředí.

Łączy symbol oznaczający, że zgodnie z wymaganiami normatywnymi, ten produkt lub jego części są ekologicznie bezpieczne i nadają się do recyklingu. Zbieranie, sortowanie, pakowanie, transport, przechowywanie, utylizacja i recykling odpadów i zapewnienie bezpieczeństwa recyklingu dla zdrowia ludzi i środowiska.